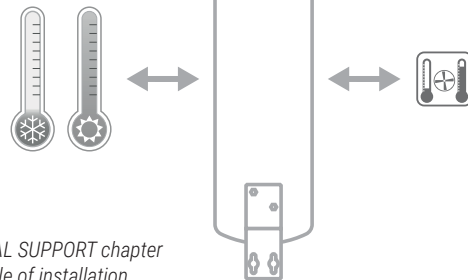


# VOLANO TERMICO PDC PENSILE

HANGING BUFFER TANK FOR HEAT PUMP



PRESSURE	TEMPERATURE
Pmax 4 bar	Tmax -10 / +95 °C



See TECHNICAL SUPPORT chapter for example of installation

## TECHNICAL DESCRIPTION

Buffers either for hot or cold water have two main functions: they work both as hydraulic separator and buffer tank. The hydraulic separator makes the heat pump flow rates and terminals flow rates unconnected. The buffer function reduces the heat pump on/off switchings. Hanging energy buffer tanks are designed for wall installation.

## MATERIAL

Mild steel.

## EXTERNAL LINING

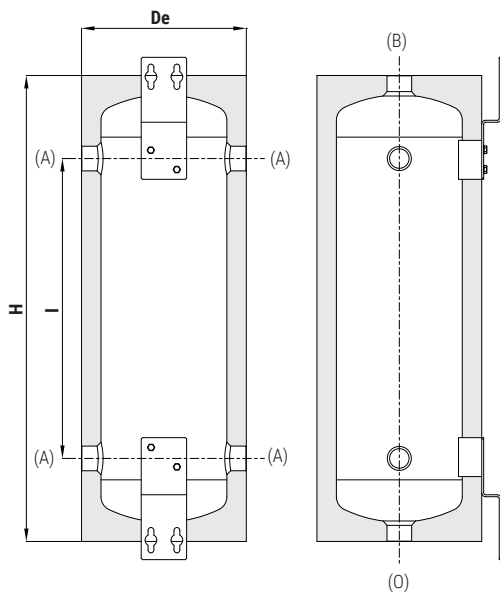
Grey PVC.

## INSULATION

High thermal insulation with ecological polyurethane hard foam.

## WARRANTY

2 years-See general sales conditions and warranty.



**A** To the System

**B** Safety Valve

**O** Drain



## VOLANO TERMICO PDC (12 unit box)

ENERGY EFFICIENCY CLASS



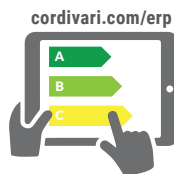
Model	12 unit box	Art. Nr.	Price €	ErP
<b>8</b>		3070160920006	<b>12 2.714,00</b>	<b>B</b>
<b>12</b>		3070160920004	<b>12 2.934,00</b>	<b>B</b>

## VOLANO TERMICO PDC

ENERGY EFFICIENCY CLASS



Model	Art. Nr.	Price €	ErP
<b>12</b>	3070160920004	<b>260,00</b>	<b>B</b>
<b>25</b>	3070160920001	<b>292,00</b>	<b>B</b>
<b>50</b>	3070160920003	<b>339,00</b>	<b>B</b>
<b>80</b>	3070160920008	<b>361,00</b>	<b>C</b>
<b>100</b>	3070160920009	<b>378,00</b>	<b>C</b>



On line ErP label tool



**CORDIVARI Lab**

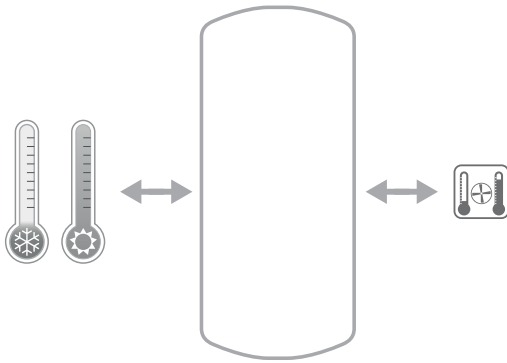
TÜV Rheinland Energie und Umwelt GmbH states that test procedures and Cordivari LAB are certified conforming to European standard EN 15332, as indicated by Ecodesign ErP Directive.



Model	Volume [lt]	Weight [Kg]	De	H	I	B-O	A
<b>8</b>	8,3	6,5	260	382	126	1"	1"
<b>12</b>	12,4	7,5	254	526	270	1"	1"
<b>25</b>	25	11	290	790	520	1"	1"1/4
<b>50</b>	51	16	343	690	1008	1"	1"1/4
<b>80</b>	81	18	450	745	400	1"1/4	1"1/4
<b>100</b>	95	24	450	870	525	1"1/4	1"1/4

# VOLANO TERMICO PDC

## BUFFER TANK FOR HEAT PUMP



See TECHNICAL SUPPORT chapter for example of installation

PRESSURE	TEMPERATURE
Pmax	Tmax
4 bar	-10 / +95 °C

### TECHNICAL DESCRIPTION

Buffer either for hot or cold water provided by heat pump, in order to limit the generator on/off switchings.

### MATERIAL

Mild steel.

### EXTERNAL LINING

Grey PVC.

### INSULATION

High thermal insulation with ecological polyurethane hard foam.

### WARRANTY

2 years-See general sales conditions and warranty.

### VOLANO TERMICO PDC

ENERGY EFFICIENCY CLASS



MILD STEEL BUFFER TANK (suitable for heat pump)

Model	Art. Nr.	Price €
100	3001162311001	356,00
200	3001162311002	453,00
300	3001162311003	570,00
500	3001162311004	754,00

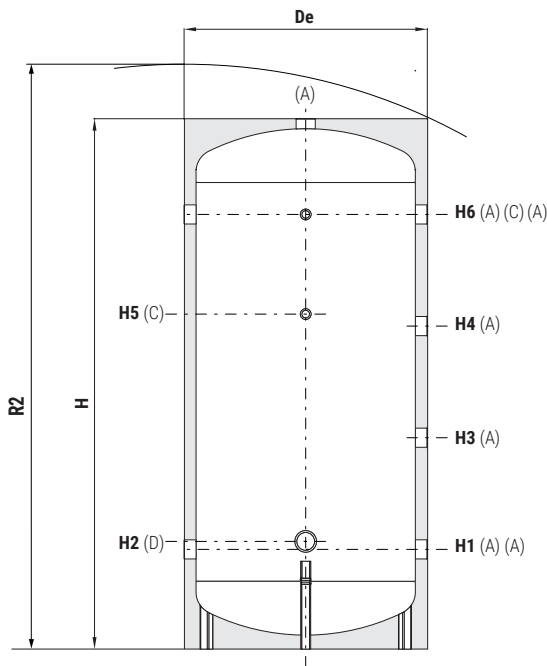


### VOLANO TERMICO PDC

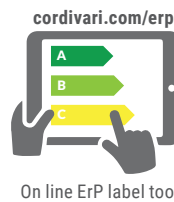
ENERGY EFFICIENCY CLASS

MILD STEEL BUFFER TANK (suitable for heat pump)

Model	Art. Nr.	Price €
500	3001162311014	810,00



- A** To the System
- C** Connection for instrumentation 1/2" F
- D** Connection for electric immersion heater 1" 1/2 F



On line ErP label tool



**CORDIVARI** Lab

TÜV Rheinland Energie und Umwelt GmbH states that test procedures and Cordivari LAB are certified conforming to European standard EN 15332, as indicated by Ecodesign ErP Directive.



Model	Weight [Kg]	Volume [lt]	De	H	R2	H1 [mm]	H2	H3	H4	H5	H6	A
100	23	95	461	990	1100	206	246	374	543	511	711	1"
200	41	180	517	1289	1395	206	246	489	793	836	1086	1"
300	51	280	624	1346	1490	256	276	536	816	846	1096	1"1/4
500	76	478	750	1641	1810	271	291	634	998	1091	1361	1"1/4

Model	Weight [Kg]	Volume [lt]	De	H	R2	H1 [mm]	H2	H3	H4	H5	H6	A
500 (B)	76	478	750	1641	1810	271	291	634	998	1091	1361	1"1/4

INERTIAL AND CHILLED WATER TANKS