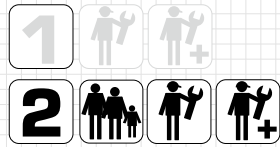




www.esbe.se



SERIES CRA110

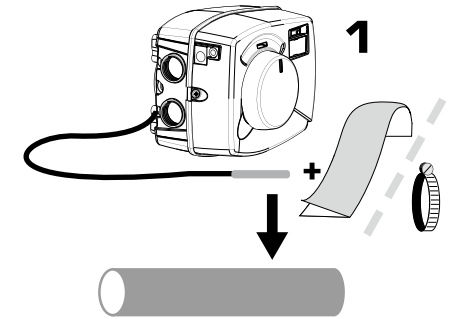
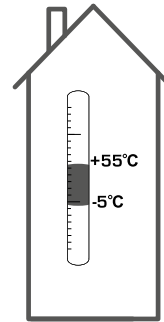


NO.1 IN HYDRONIC SYSTEM CONTROL

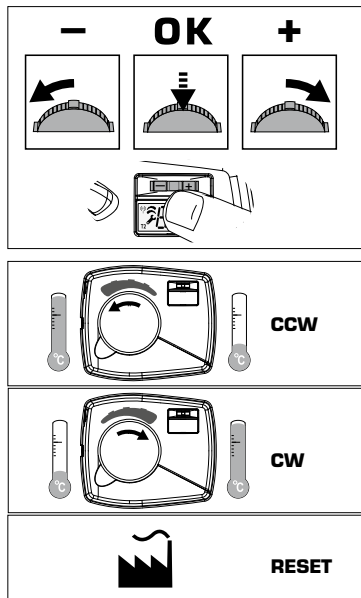


Series CRA111  
Series CRA112

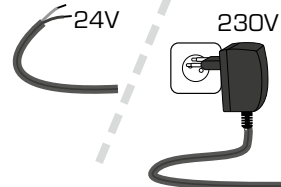
CE  
LVD 2006/95/EC  
EMC 2004/108/EC  
RoHS 2002/95/EEC



Mtrl.nr. 9814 03 90 • Ritn.nr. 9210 utg. B • Rev. 1012



1



=

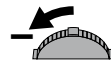
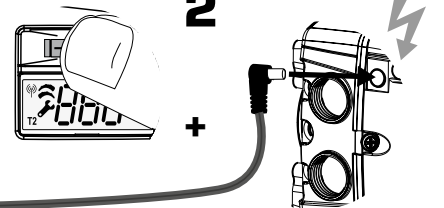


=



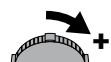
=

2



+

24V / 230V



+

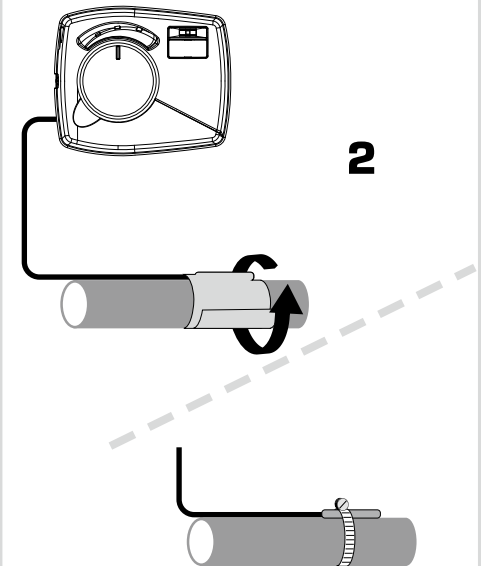
24V / 230V



+

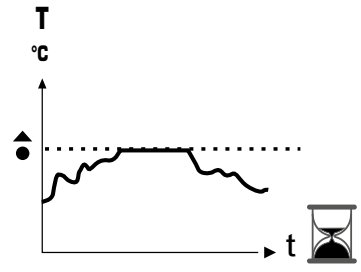
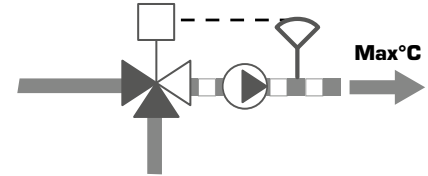
24V / 230V

2

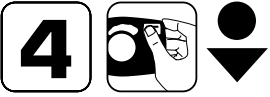
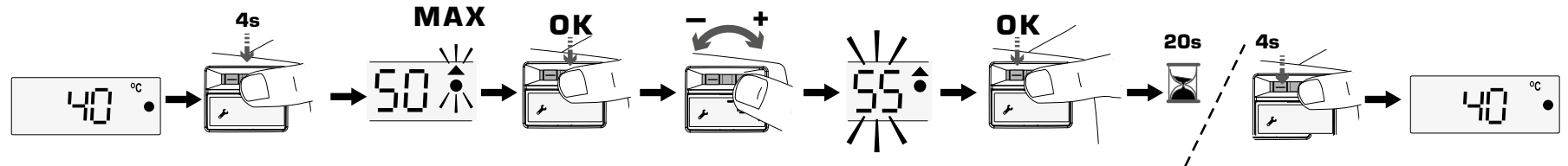




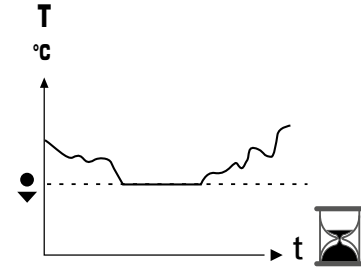
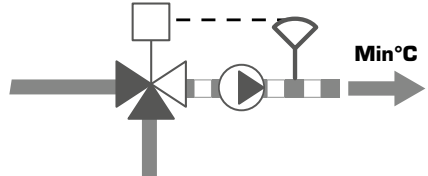
▲ = MAX



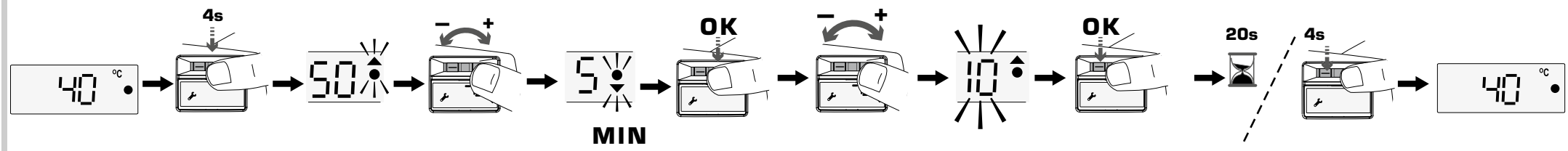
	50 °C
	~40 - 50 °C
	~60 - 80 °C
	60 °C




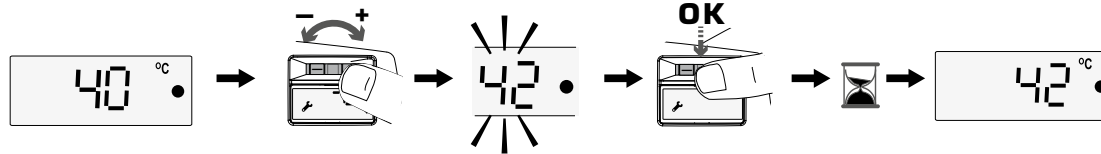
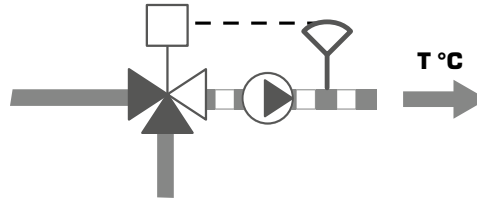
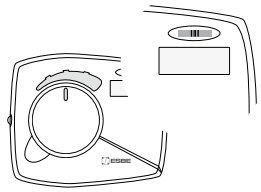
▼ = MIN



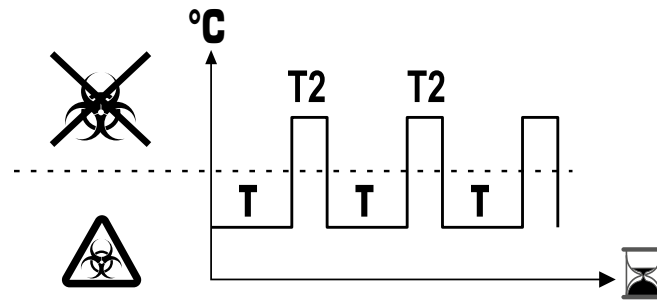
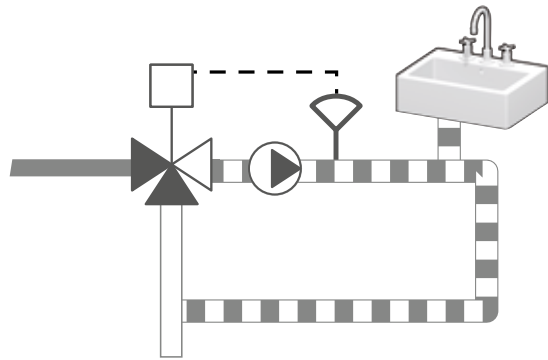
	5 °C
	~5 - 25 °C
	~5 - 25 °C
	~5 - 25 °C

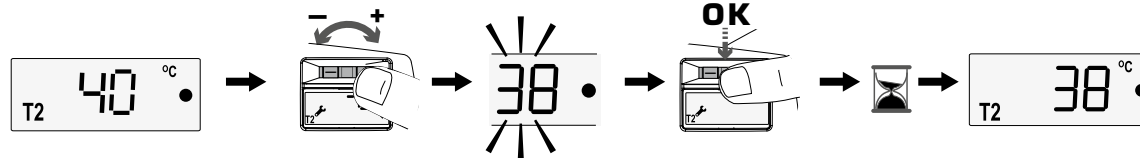
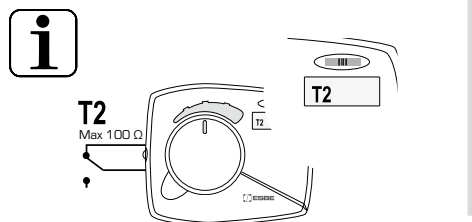
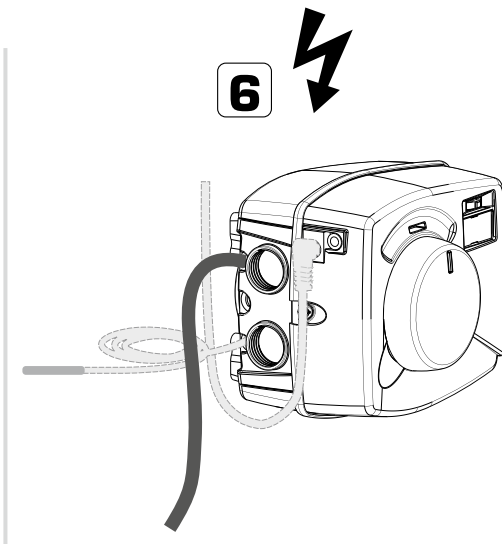
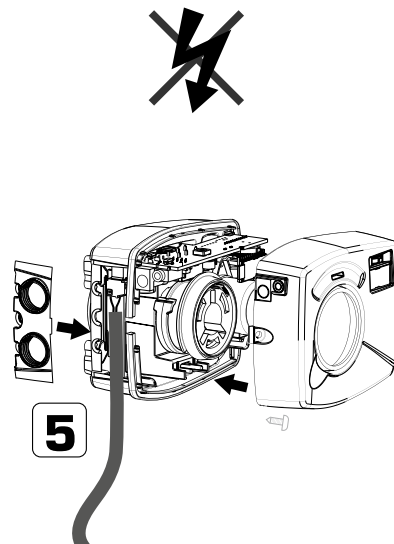
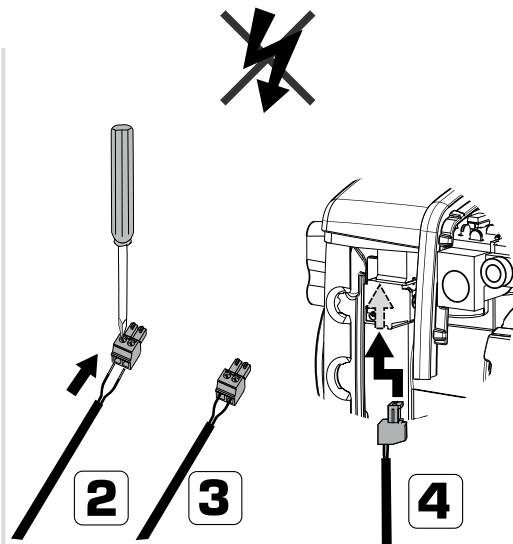
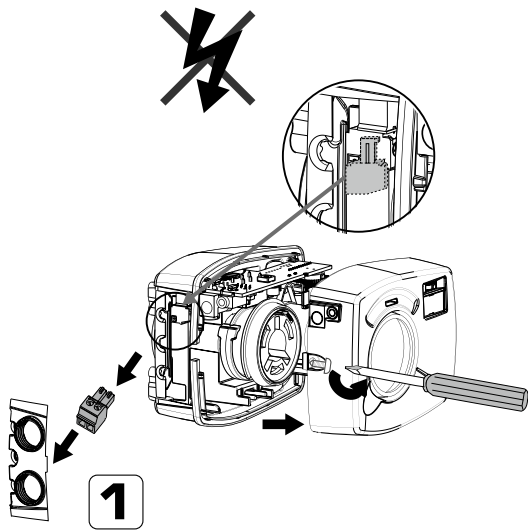


**5**  **T**



**6**  **T2**





**T**

